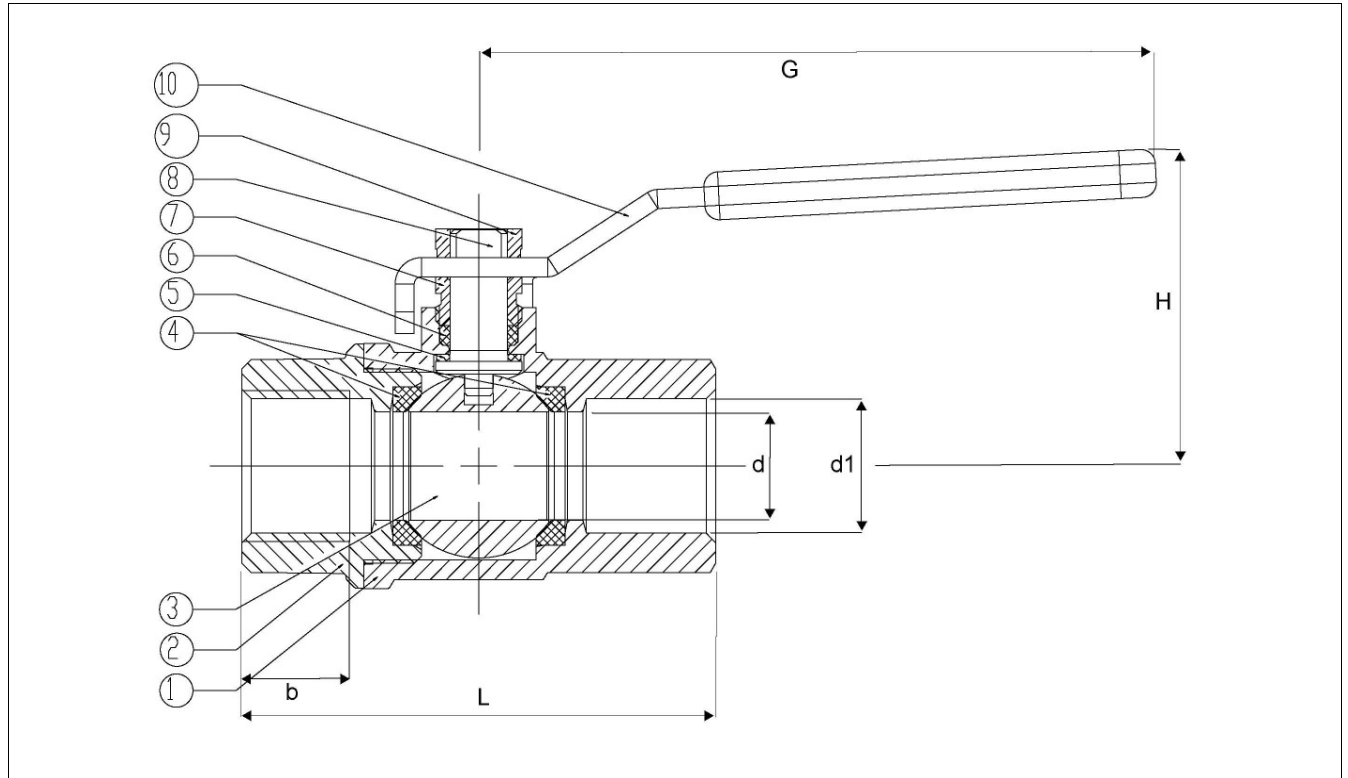


BALL VALVES RK-BALL-O-TOP

V 2000, ¼" - 2", PN25/40/63

brass ball valves with threaded ends - full bore



No.	Part	Material
1	body	2.0402
2	cap	2.0402
3	ball	2.0401 chrome-plated
4	sealing ring	PTFE
5	seal	PTFE
6	gland ring	PTFE
7	stuffing box bolt	2.0401
8	spindle	2.0401
9	hex. nut	2.0401
10	lever	steel, plastic cover

**Brass ball valve with threaded ends
acc. to DIN EN 10226-1
full bore
face to face dimensions acc. to
producers standard**

Operating conditions:
operating pressure from 25 to 63 bar

Operating temperature:
-20°C up to + 150°C

Threads acc. to:
standard ISO 7/1

Dimensions

nominal size		PN	dimensions (mm)				width across flats	weight ca. kg
inch d1	mm d		H	G	b	L		
Rp ¼"	10	63	42	95	10	46	19	0.14
Rp ⅜"	10	63	42	95	11.4	52	22	0.17
Rp ½"	15	63	44	95	15	66	27	0.26
Rp ¾"	20	63	55.5	115	16.3	76	32	0.44
Rp 1"	25	63	58.5	115	19.1	90	41	0.76
Rp 1 ¼"	32	40	75	155	21.4	110	50	1.27
Rp 1 ½"	40	25	81.5	155	21.4	120	55	1.87
Rp 2"	50	25	98	175	25.7	140	70	2.60

Bestellbeispiel:
V 2000 Rp ¼"